

BLUEBOX UHF – Controller CX

1 CH



IDTRONIC's BLUEBOX Controller & Antenna family is well suited for industrial and enterprise applications, where reliable, robust and well performing products are needed. All components are designed as a powerful combination for an easy and cost efficient system installation.

BLUEBOX UHF – CX Controllers read/write RFID industrial device with one external antenna port operating in the UHF frequency band (840MHz – 960MHz).

Communicates with a 'host' (typically a PC or PLC) via serial line RS232, RS485 or via Ethernet 10 – 100M, and liaising with a series of commands between it and the transponder present in the area of influence of the antenna.

Available with M12 or Amphenol RJ45 Connectors and optional Real Time Clock.

Features

- One external antenna
- Antennas auto-tuning
- RS232, RS485 or Ethernet interface 10-100M
- USB VirtualCom service interface
- Real Time Clock (option)
- Upgradeable firmware
- Two digital opto-isolated inputs (option)
- Two digital relay output (option)
- Three signal LEDs
- Integrated buzzer
- M12 connectors, Amphenol RJ45 (option)
- Test and configuration software
- Stand Alone possible
- ANSI C software library (*.dll, *.h, *.def, *.lib files)
- Standard ISO 18000-6C (EPC C1G2)
- IP67 protection

Applications

- Industrial / Parking Automation
- Robotics
- Logistics / Data Collection



Electrical Features

Supported Transponder	ISO 18000-6C (EPC C1 G2)
Power Supply	10 – 36 Vdc, PoE
Power Ratings	15W @30dBm
Operating Frequency	840MHz – 960MHz, software programmable
Output Power	Max 1 W (30dBm), 1dBm step software programmable
Antenna	One external (50 Ω)
Antenna Connector	TNC-female (50 Ω)
Reading Distance	Up to 8m
Communication Interface	RS232, RS485, Ethernet 10 – 100M
Service Interface	USB VirtualCom (Internal)
Digital Inputs	2 opto-isolated inputs, 10 – 36 Vdc, max 20 mA @24Vdc
Digital Outputs	2 relay outputs, 1A@30Vdc, 0.5A@125Vac
Status Display	3 LEDs, buzzer
Connectors	M12 connectors, Amphenol RJ45

Mechanical Features

Dimensions	110 x 140 x 62 mm
Material	Die-cast aluminum, plastic
Class Protection	IP67

Environmental Conditions

Operating Temperature	-20°C ÷ +55°C
Storage Temperature	-40°C ÷ +85°C
Humidity	Up to 95%, non condensing

Applicable Standards

EMC	EN 301 489-3
Radio Regulation	EN 302 208-2
Safety	CEI EN 60950-1 CEI EN 50364

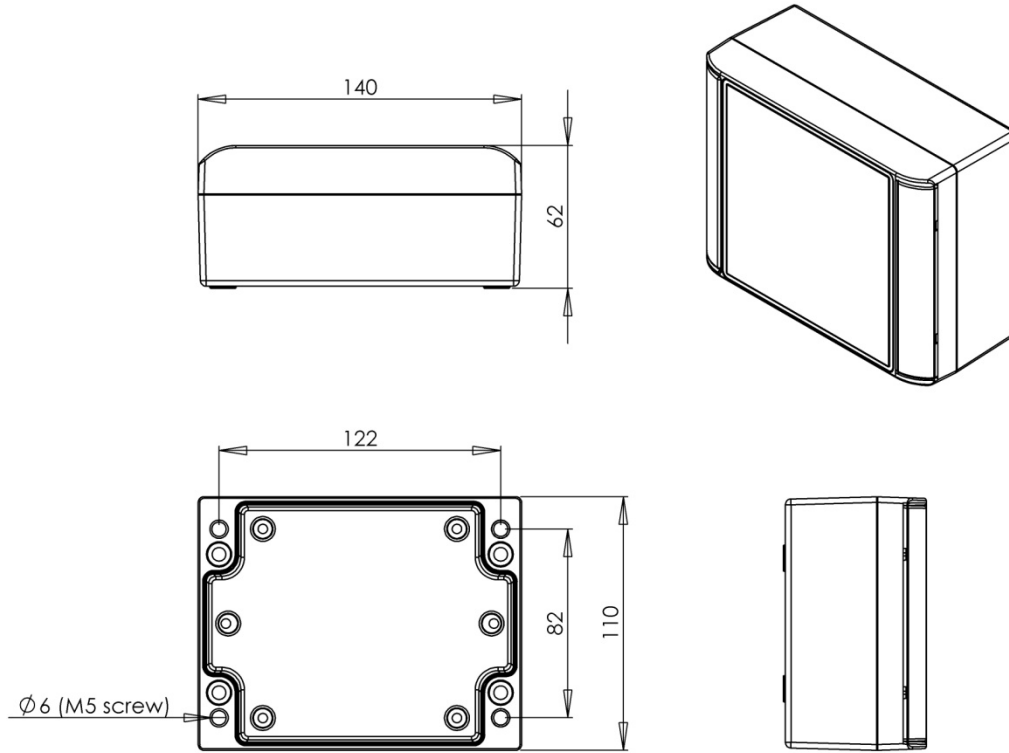


Ethernet connection with M12 D-coded



Ethernet connection with Amphenol RJ45

Mechanical View and Dimensions (in mm)



(Enclosure without connectors)

Order Codes

Amphenol RJ45
Amphenol RJ45

RS232/485 ETH
RS232/485 ETH + Real Time Clock

R-IN-UHF-5335U
R-IN-UHF-5335U-RTC

M12
M12

RS232/485 ETH
RS232/485 ETH + Real Time Clock

R-IN-UHF-5336U
R-IN-UHF-5336U-RTC